

WHEELCHAIR TRAY

Assembly, Installation, and Operating Instructions



Model No. 1300, 1035965, and 1035966

NOTE: Check all parts for shipping damage and test before using. In case of damage, DO NOT use. Contact the dealer / Invacare for further instructions.

SAFETY SUMMARY

The following recommendations are made for the safe installation of the Wheelchair Tray:

WARNING

DO NOT assemble or use this equipment without first reading and understanding this instruction sheet. If you are unable to understand the Warnings, Cautions or Instructions, contact a healthcare professional, dealer or technical personnel if applicable before attempting to install this equipment - otherwise, injury or damage may occur.

Any worn or damaged hardware MUST be replaced.

After installation, repair or service and BEFORE use, make sure all attaching hardware is securely tightened - otherwise, injury or damage may result.

INSTALLING WHEELCHAIR TRAY (FIGURE 1)

1. Remove the two (2) phillips screws from the arm pad.
2. Slide the bracket support tube into the bar guide assembly as shown in **FIGURE 1**.

NOTE: The bracket of the bar guide assembly and the tube of the bracket support should be positioned towards the outside of the wheelchair frame.

3. Loosely install phillips screw through the bracket support tab, wheelchair frame and arm pad.
4. Position the bar guide assembly tab to align with the mounting hole of the wheelchair frame.
5. Loosely install phillips screw through the bar guide assembly, wheelchair frame and arm pad.

6. Repeat **STEPS 1-5** for opposite side.
7. Remove protective paper from the tray.
8. Position the tray bracket on the wheelchair tray **BOTTOM** as shown in **FIGURE 1**.

NOTE: For wheelchairs over 18-inches wide, reverse the tray brackets with the sockets positioned towards the outside of the tray.

9. Install carriage bolts through **TOP** of wheelchair tray and tray bracket.
 10. Secure the tray bracket to the tray with the two (2) wing nuts.
 11. Repeat **STEPS 8-10** for opposite side.
 12. Insert the tray support bar into the tray bracket and hand tighten the socket screw.
 13. Insert the tray support bars into the bracket supports at the desired position.
 14. Securely tighten the four (4) phillips screws.
 15. Center the tray on the wheelchair.
- NOTE: If the tray will not center, adjust tray support bars.*
16. After making sure the tray is centered on the wheelchair, securely tighten the socket screws.

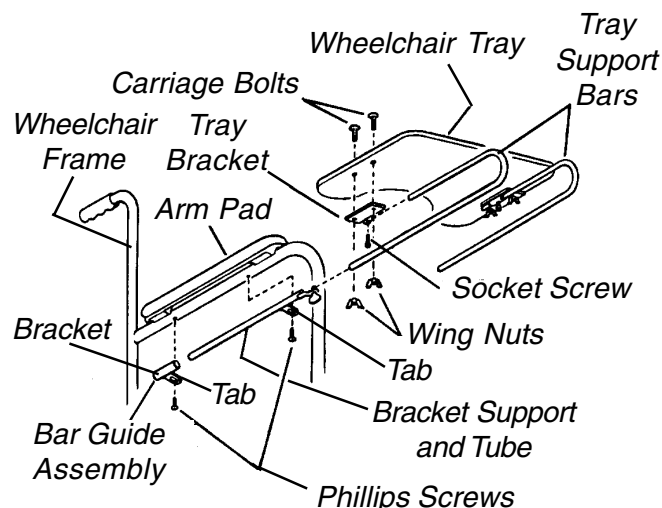


FIGURE 1 - INSTALLING WHEELCHAIR TRAY



Invacare Corporation www.invacare.com

One Invacare Way
Elyria, Ohio USA
44036-2125
800-333-6900

Technical Support
800-832-4707

Invacare is a registered trademark of Invacare Corporation
© 1999 Invacare Corporation

Form No.84-41 P/N 1023704 Rev.B (1) - 11/99